

0.56 m

0.27 m

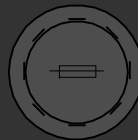
### Lighting Circuits



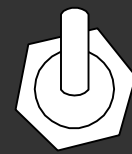
Master Lights Switch



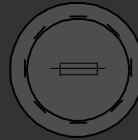
Cabin Lights



5A



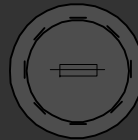
Night Lights



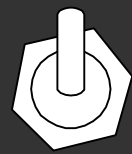
5A



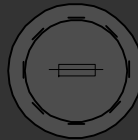
Deck Flood



5A



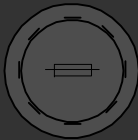
Anchor



5A



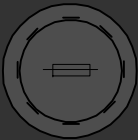
Sailing Tri-colour



5A



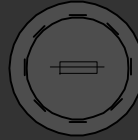
Bi-colour & Stern



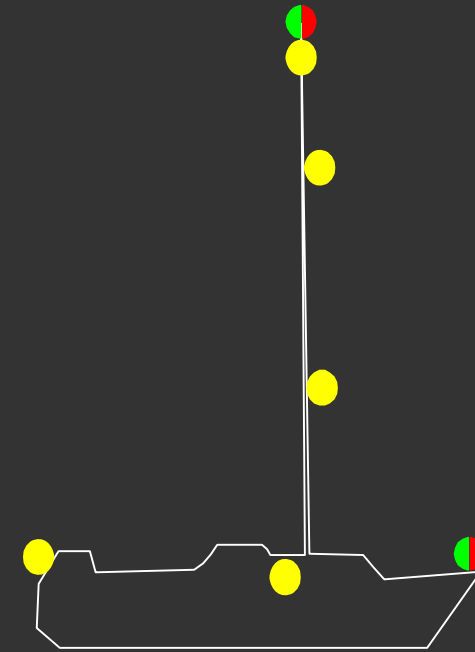
5A



Steaming

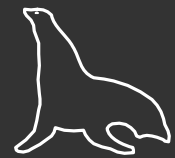


5A



# AZTEC

## Seal 28



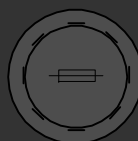
### Power Circuits



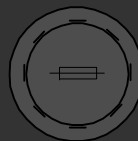
Master Power & Instruments



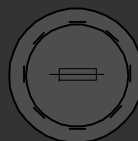
Instruments



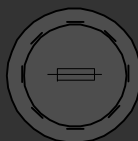
Autopilot



Bilge Pump



Heater



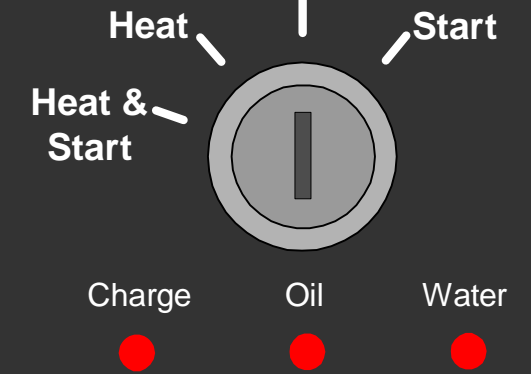
### Service Battery



12v DC Power

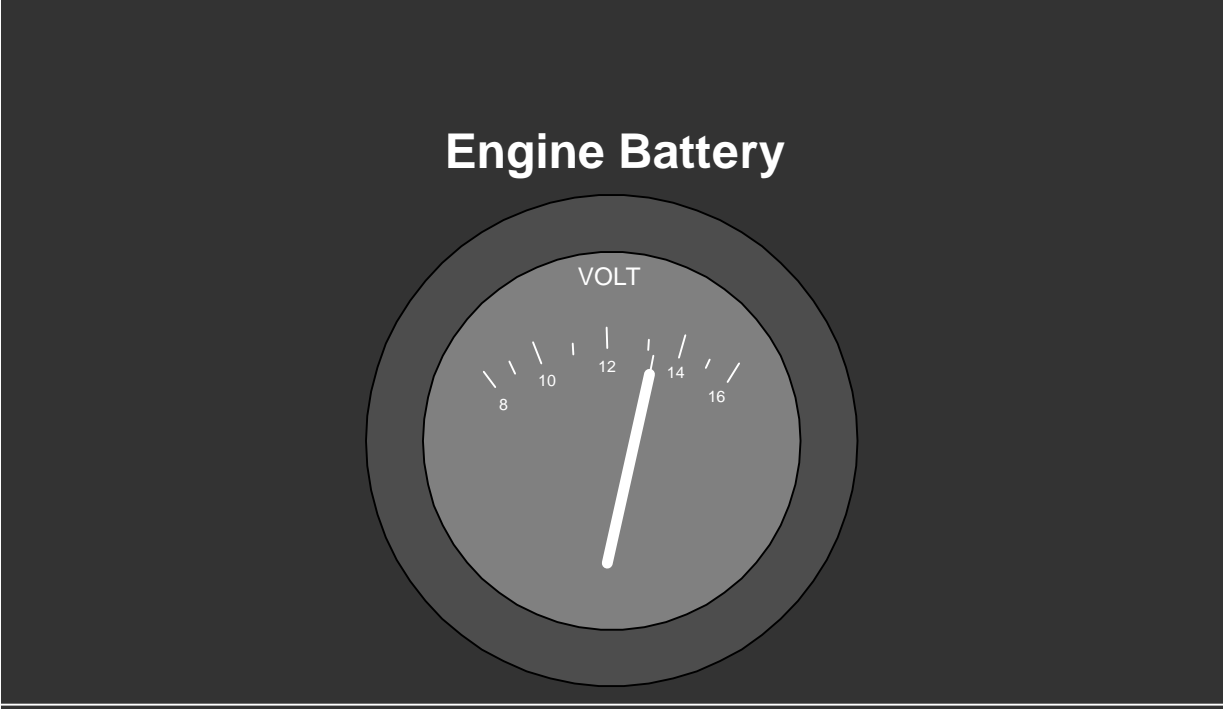


### Engine



240v AC Power

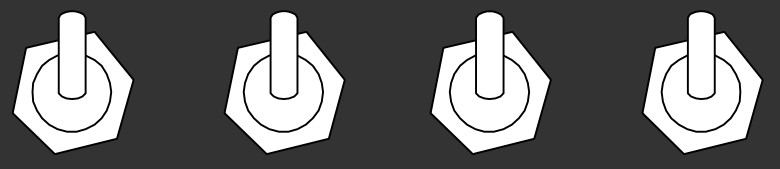
0.30 m



0.07 m



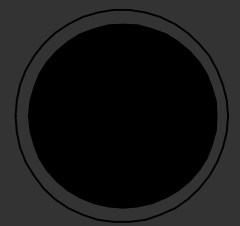
5A 10A 10A 5A



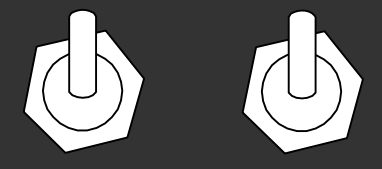
Water Pump Socket Inverter

5A 10A 15A 10A

### 12v DC Power

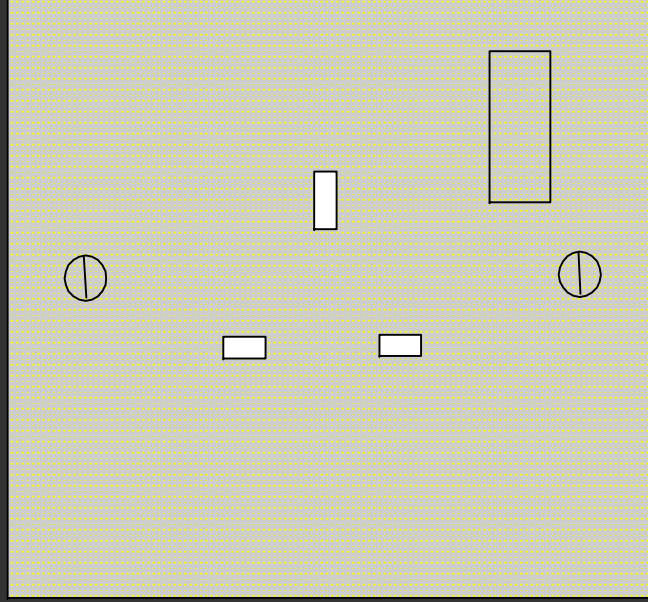


### 240v AC Power



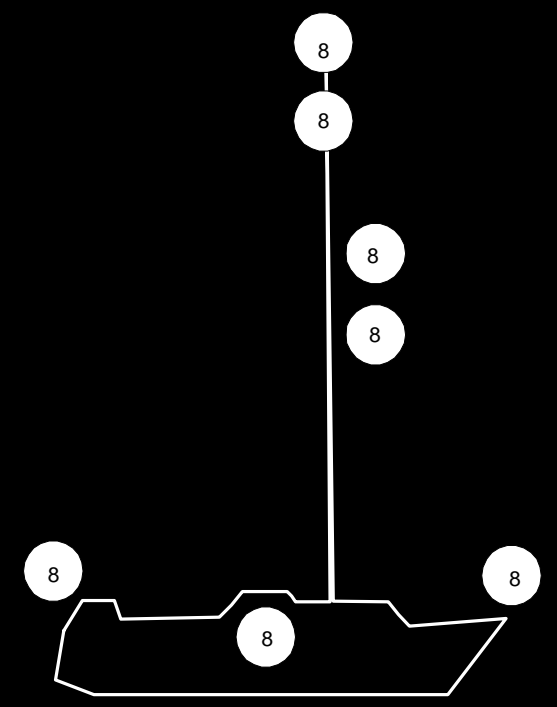
ON Charger



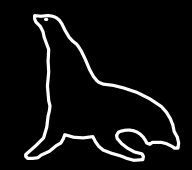


0.56 m

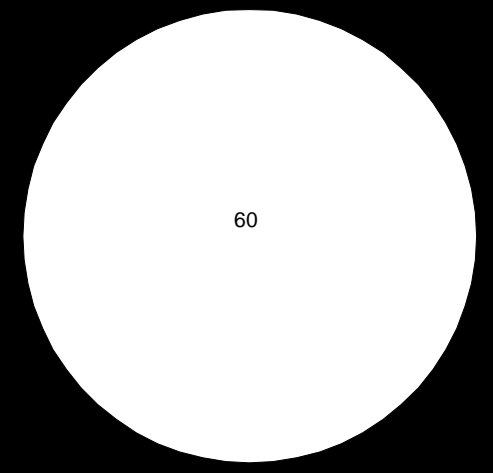
### Lighting Circuits



# AZTEC Seal 28

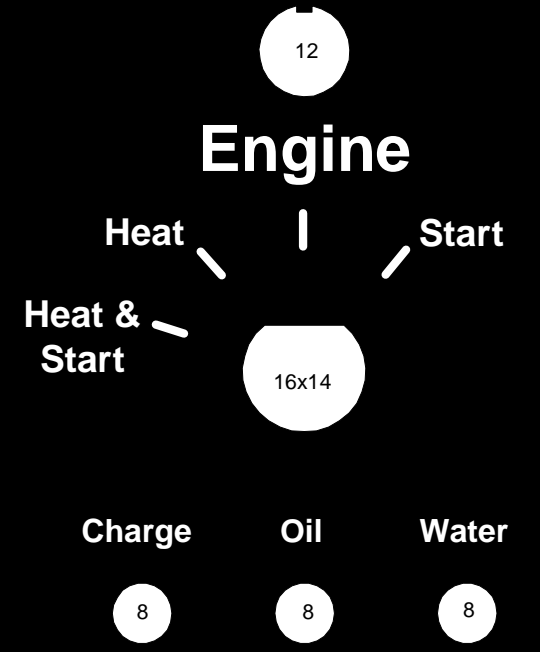
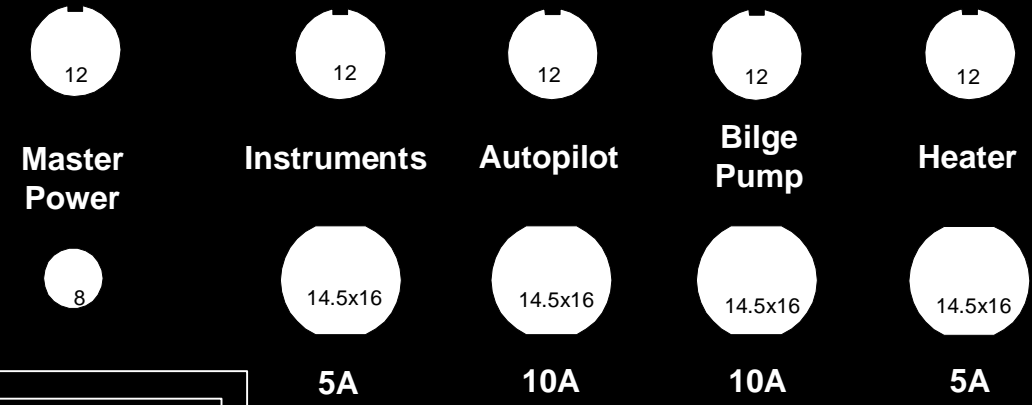


### Service Battery



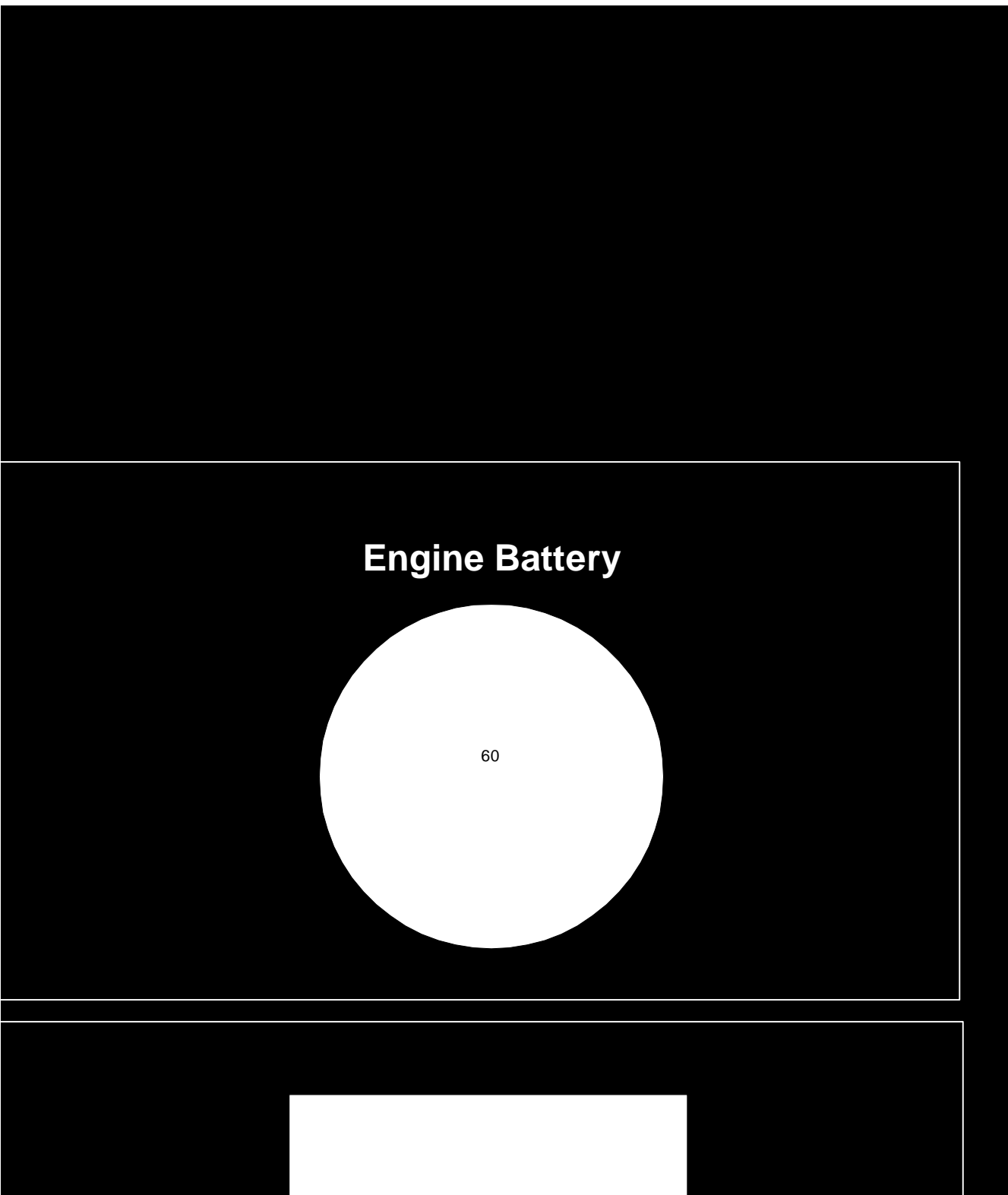
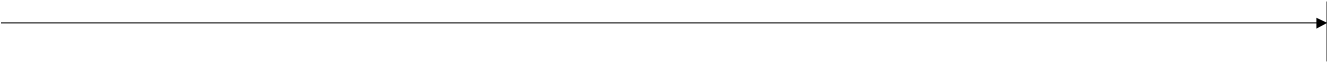
### 12 Volts DC

### Power Circuits

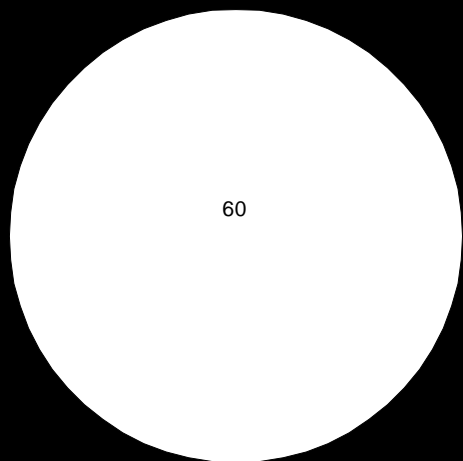


### 240v AC Power

0.30 m



**Engine Battery**



60



# NMEA

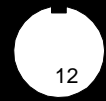
24x16

24x16

GPS

PC

5A



12

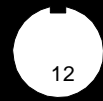
Water Pump



14.5x16

5A

10A



12

Socket



14.5x16

10A

10A



12

Inverter



14.5x16

15A

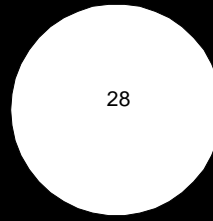
5A



12

14.5x16

+



28

-

7

7

8



12

ON



14.5x16



12

Charger



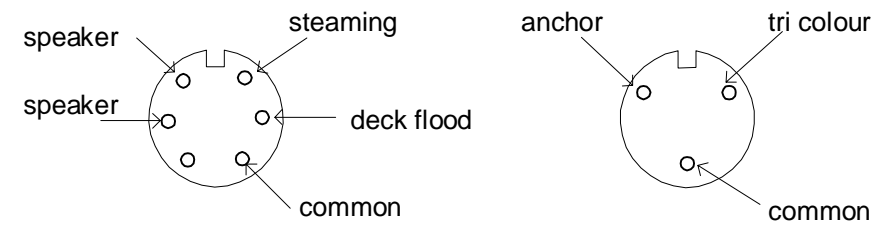
14.5x16

8

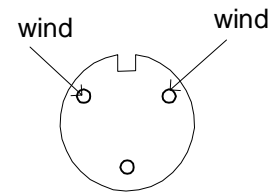
70x70



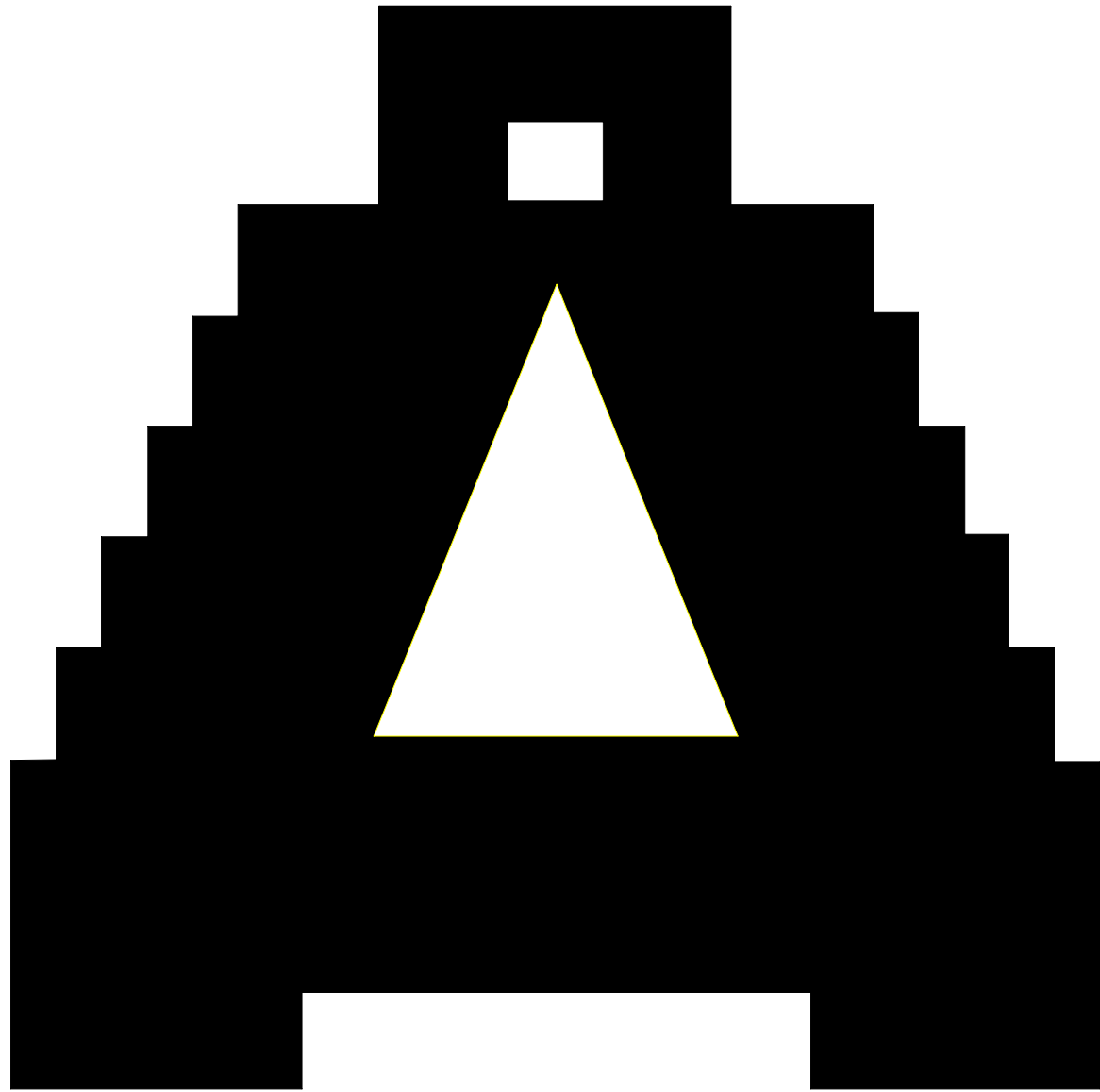
# Mast Wiring



## Pin End of Plug

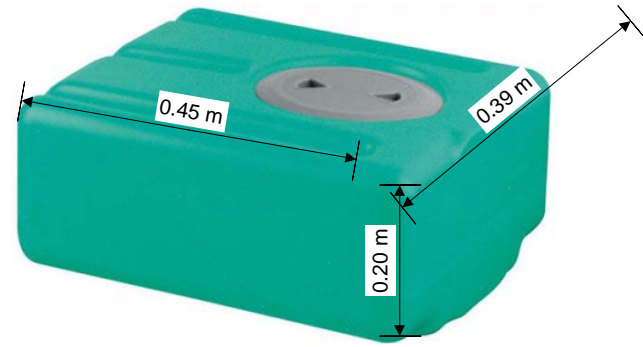


Aztec name stencil  
actual size

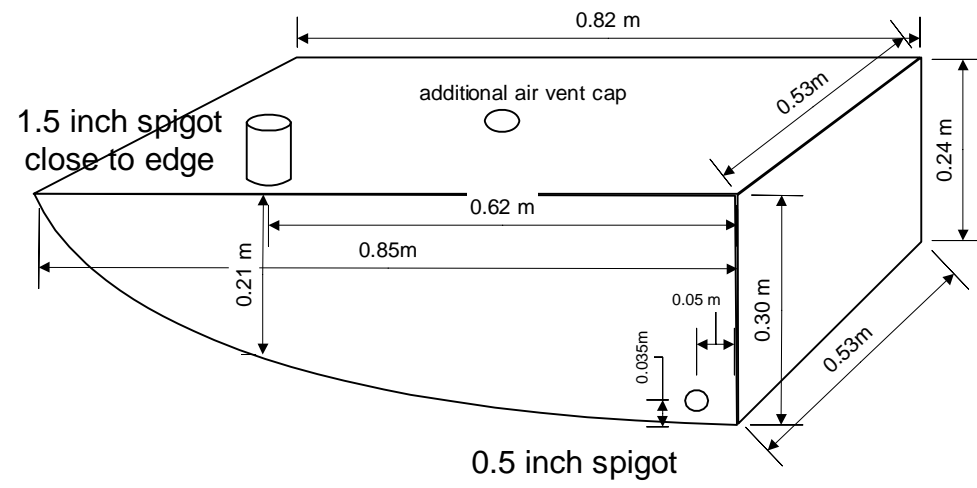


EE

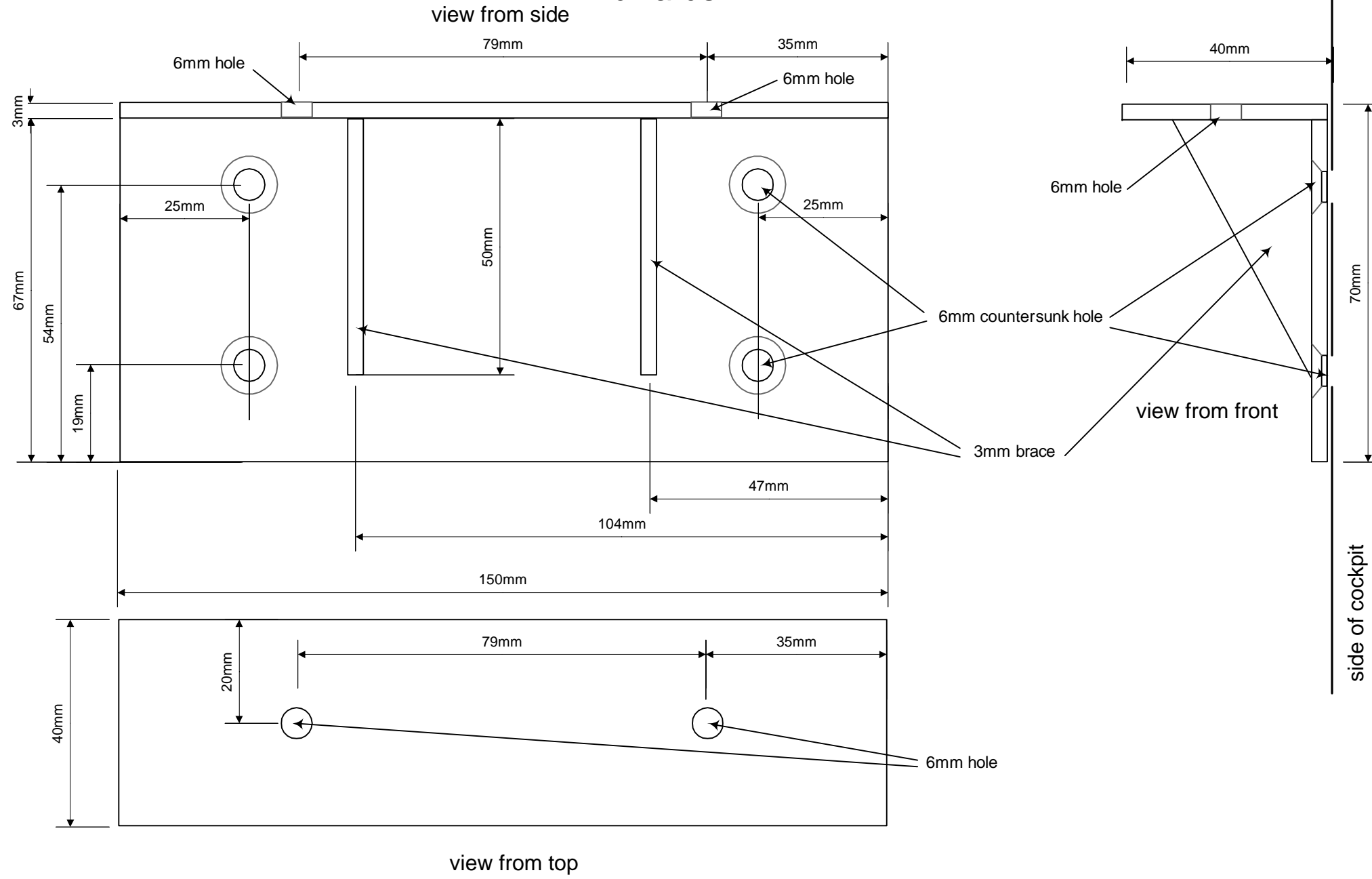
Size: length: 450mm Height: 200mm Width: 390mm



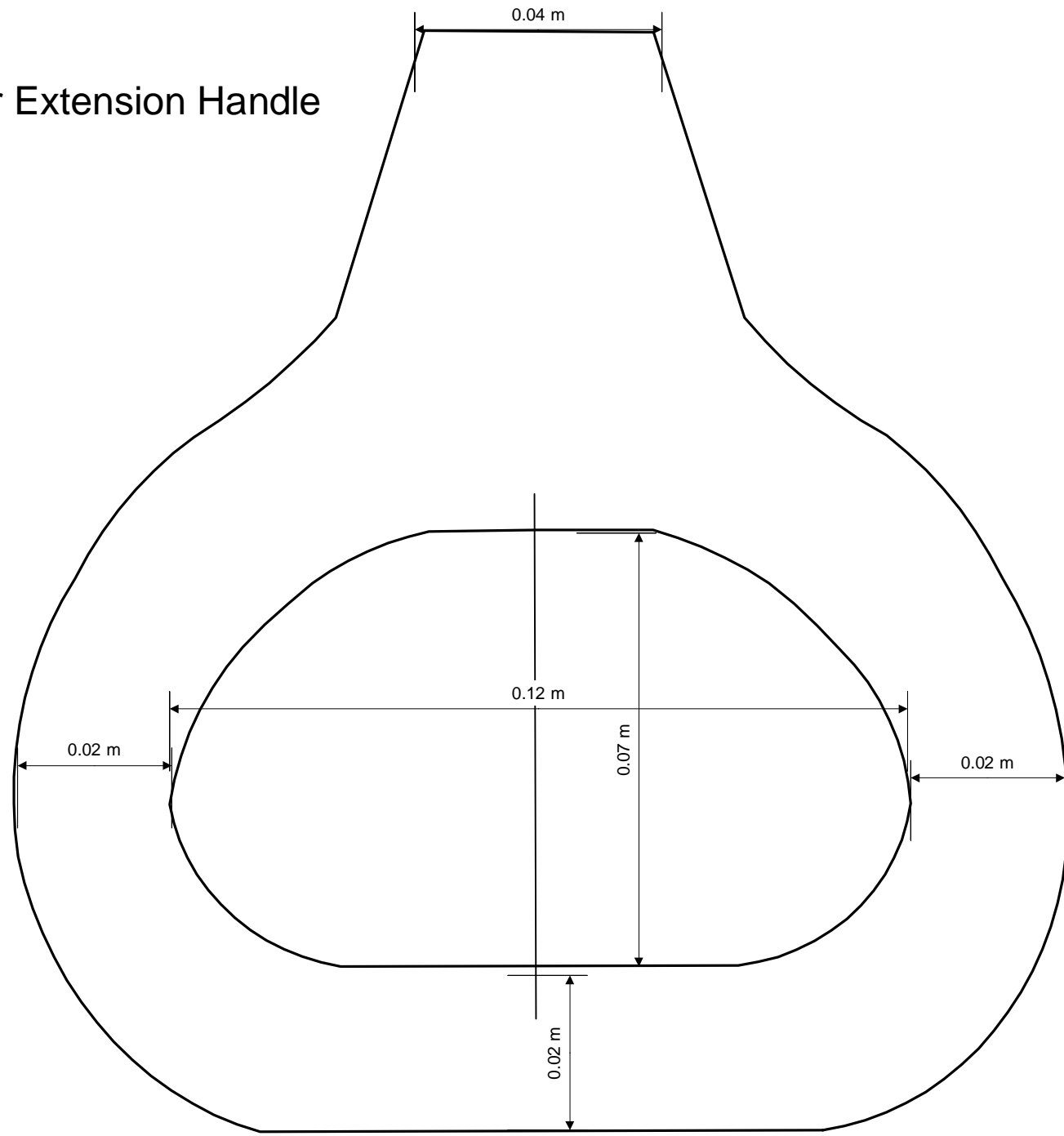
### Flexible Water tank

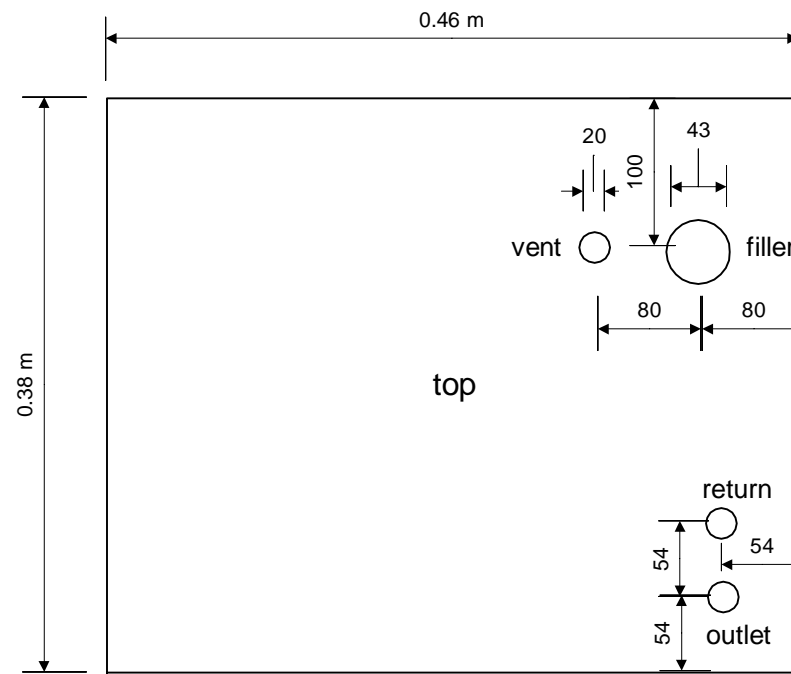
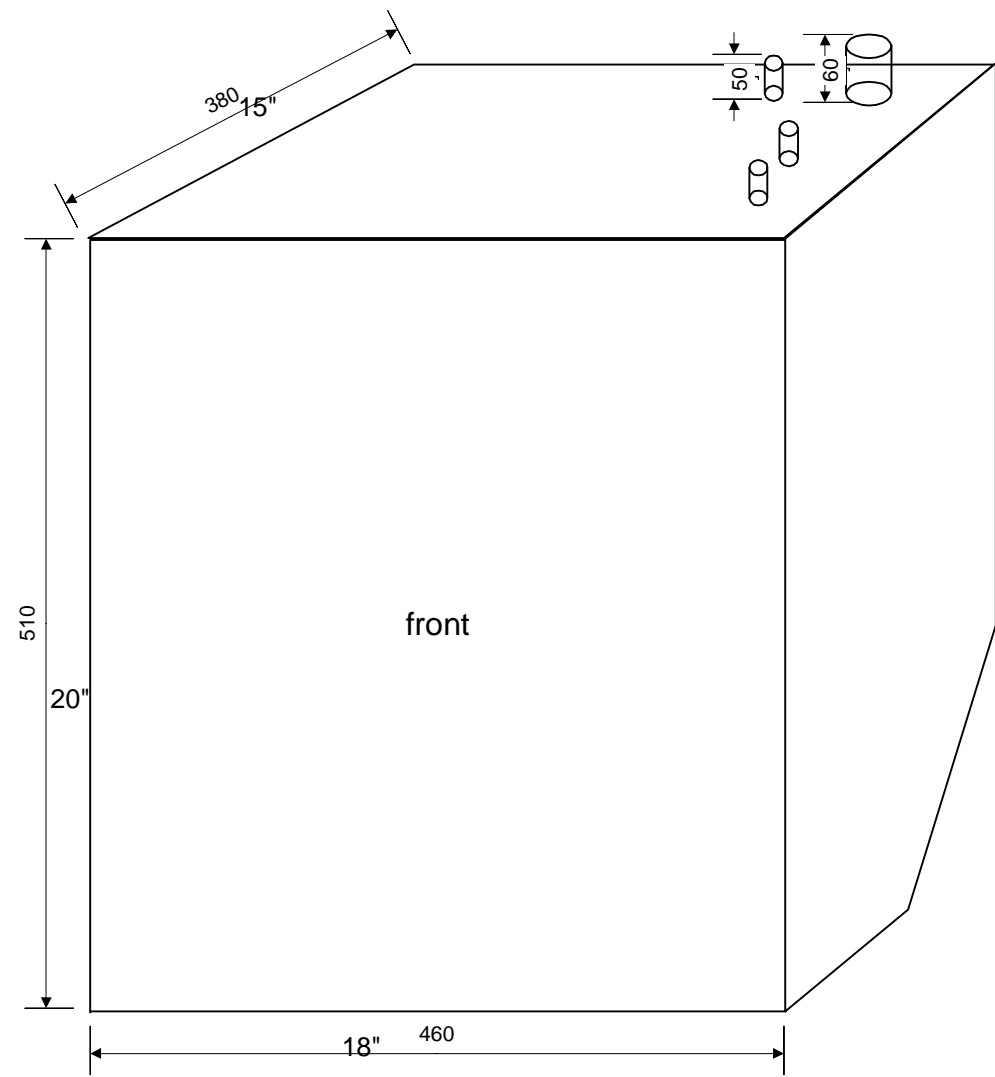


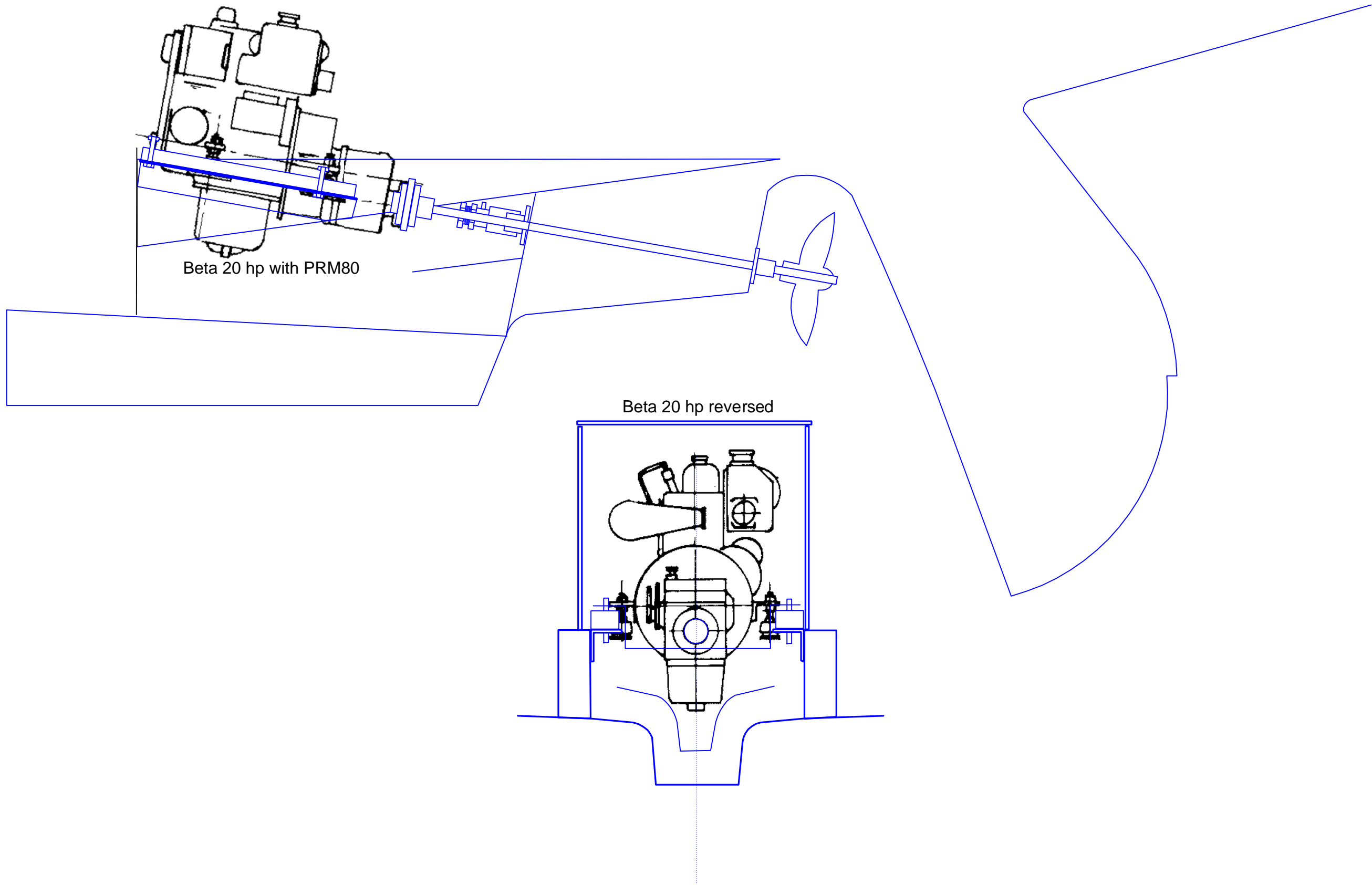
# Drawing of bracket for Jib Reefing rope clutch for Mike Edwards



Tiller Extension Handle









T Norris Ltd

Order Details

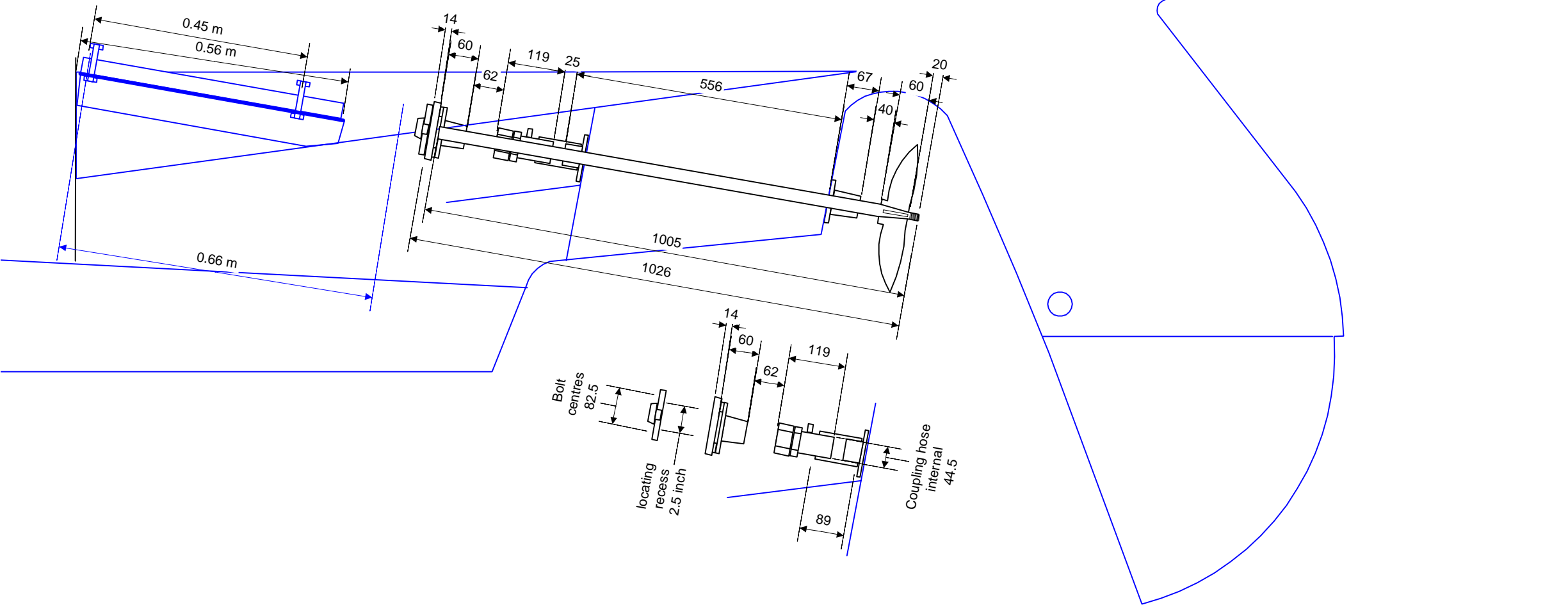
All dimensions in mm unless stated

**AZTEC**  
New prop shaft

Prop shaft 25mm x 1005mm  
Coupling rubber tube 1.75 inch x 3.5 inch  
2 x Hose clips for above tube  
1m x 6mm Gland packing  
25mm Clamp on shaft coupling  
R & D coupling with 8 x fixing bolts

Shaft Diameter 25mm  
Prop keyway 8mm  
Propellor 13 x 9  
Taper 1:10  
largest diameter 25  
smallest diameter 19

Gearbox Hurth HBW 10 2:1  
gearbox flange bolts centre 82.5  
flange locating recess 2.5 inches

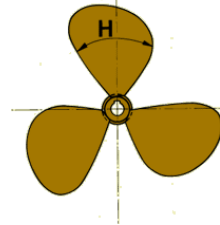




**VETUS 3-bladed propeller P3B**

Standard taper of shaft holes of propeller (1:10). Dimensions according to ISO 4566

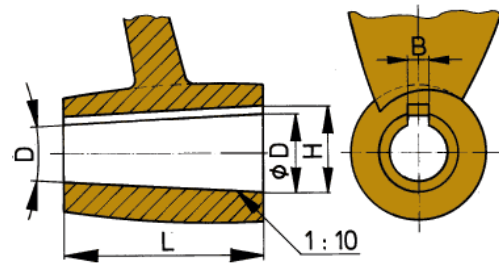
Propeller diameter	13" x 9"
Largest diameter	25 mm
Smallest diameter	19 mm
Hub length	60 mm
Keyway width	8 mm



Suited for "displacement" craft with speeds of up to 10 knots.

**Tapering of the propeller shaft**

All propellers in stock at VETUS have the standard taper 1:10. This means that the difference between the largest and the smallest diameter of the tapered hole represents 10% of the length of the propeller's boss ( $D-d=0.1xL$ ).

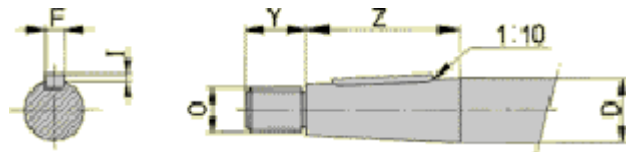


**Propellor**

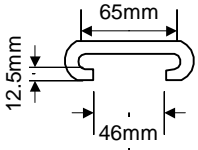
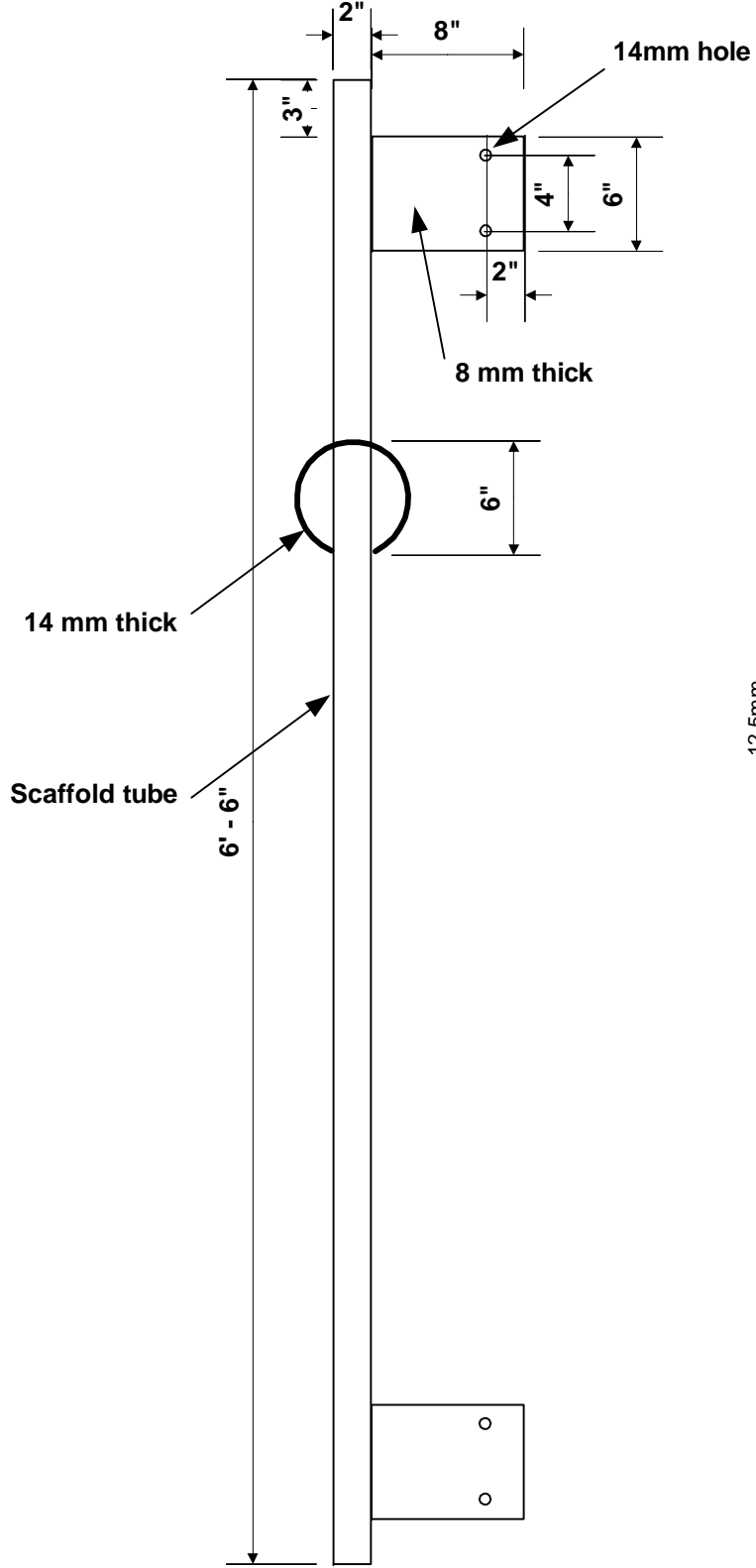
Type	3 blade
Material	Bronze
Diameter	13 inch
Pitch	9 inch
Prop Taper	1:10
Dimensions	
F	8mm
D	19mm
D	25mm
H	29mm
L	60mm

**Propellor Shaft**

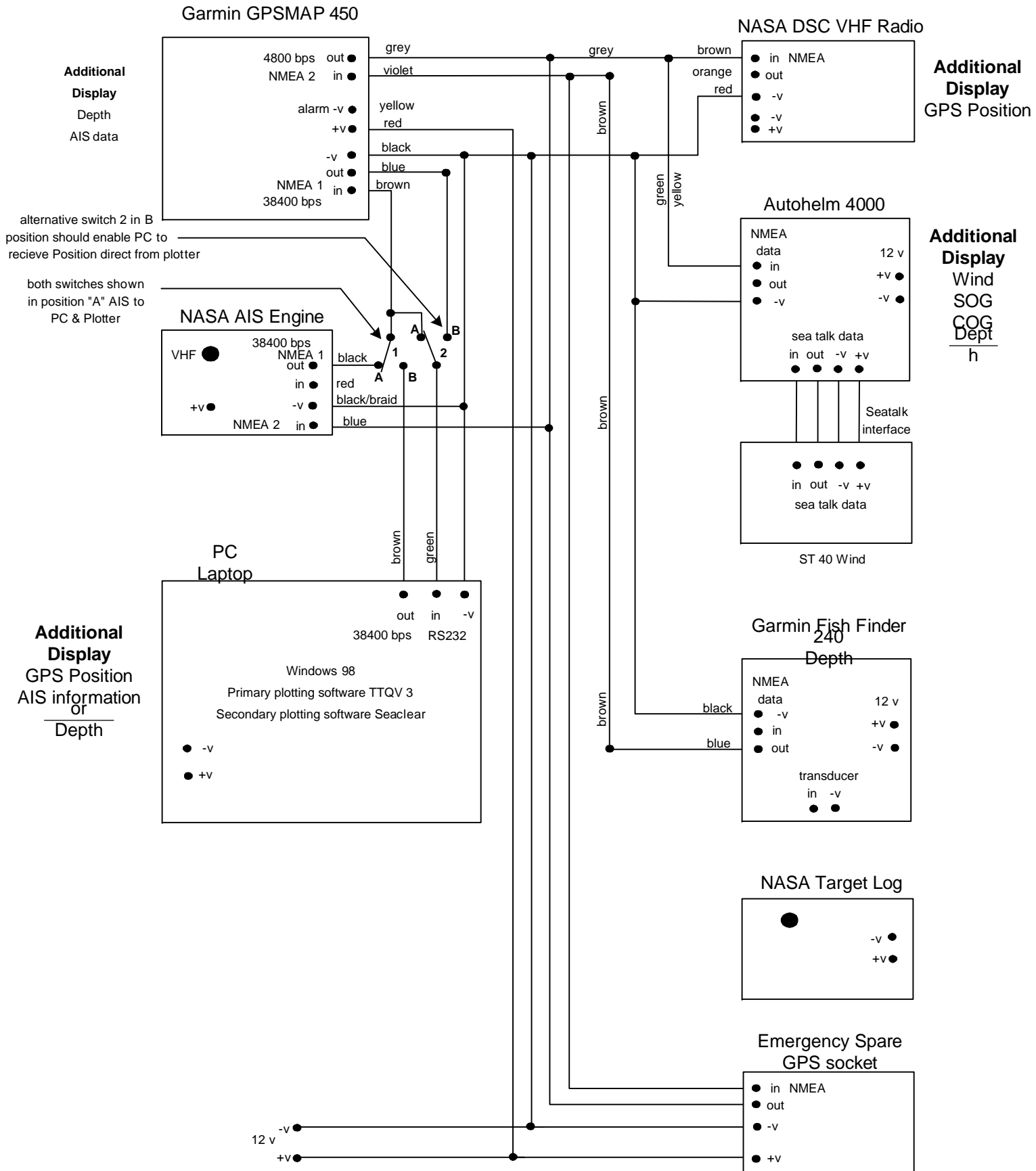
Type	Greased Cutless
Material	Stainless Steel
Diameter	25mm
Prop Taper	1:10
Dimensions	
F	8mm
O	15mm
D	25mm
Y	20mm
Z	70mm



# Mooring Riser



# Aztec's Instrument Wiring



First Electrical test showed  
 15 amps winding up  
 6 amps winding down  
 (Keel out of water)

Label removed from Motor  
 TGA Electric Leisure Ltd  
 King Rd, Halstead Essex.  
 01787 478430  
 Model WCPP3  
 S/N A1643 02-01-01  
 Rating 12v 160W

Label on Motor  
 Electric Motor Developments  
 King Rd, Halstead Essex.  
 Volts 12 DC RPM 170  
 S/N 0010013769  
 TYPE PM50/38 JZ-12-GB4 25:1

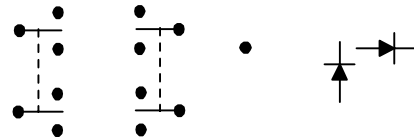
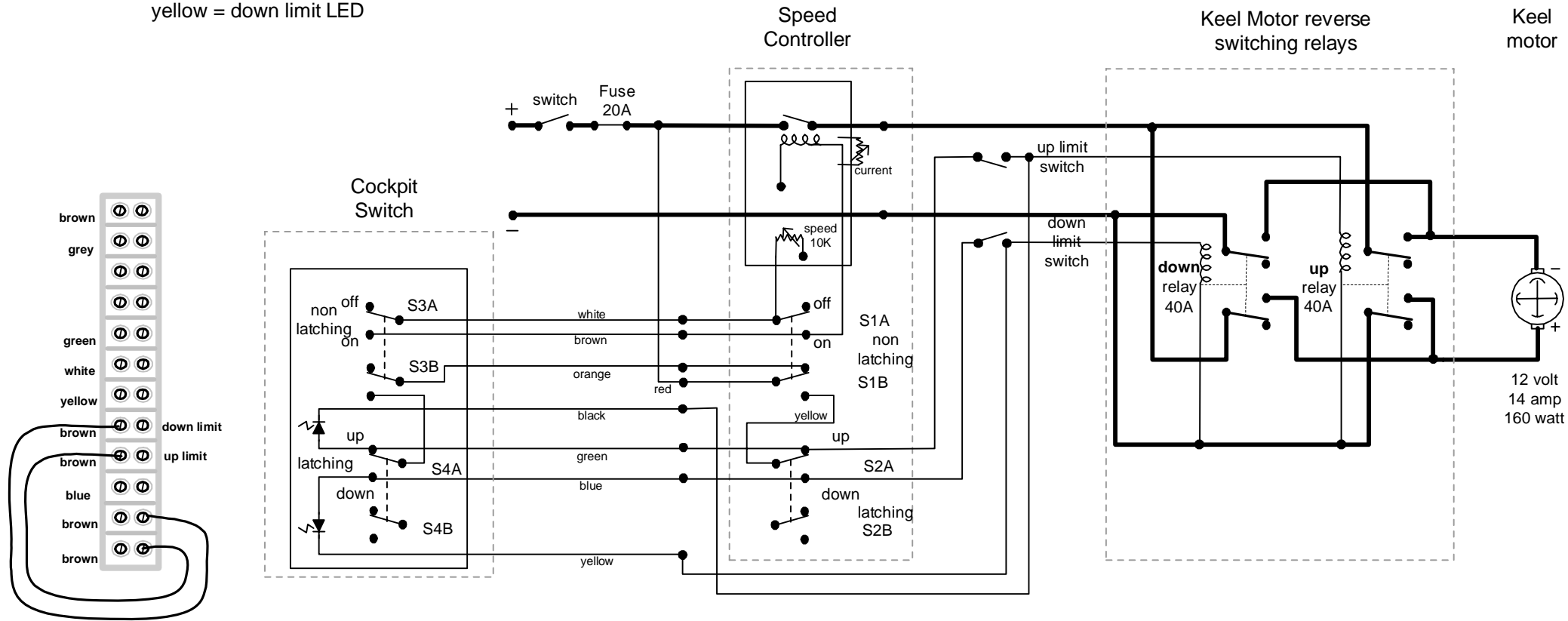
Label on Gearbox  
 GB425-3039B  
 W049563 Oct 2000  
 Ratio 25:1  
 170 rpm  
 Shaft 15mm  
 Final drive 2:1

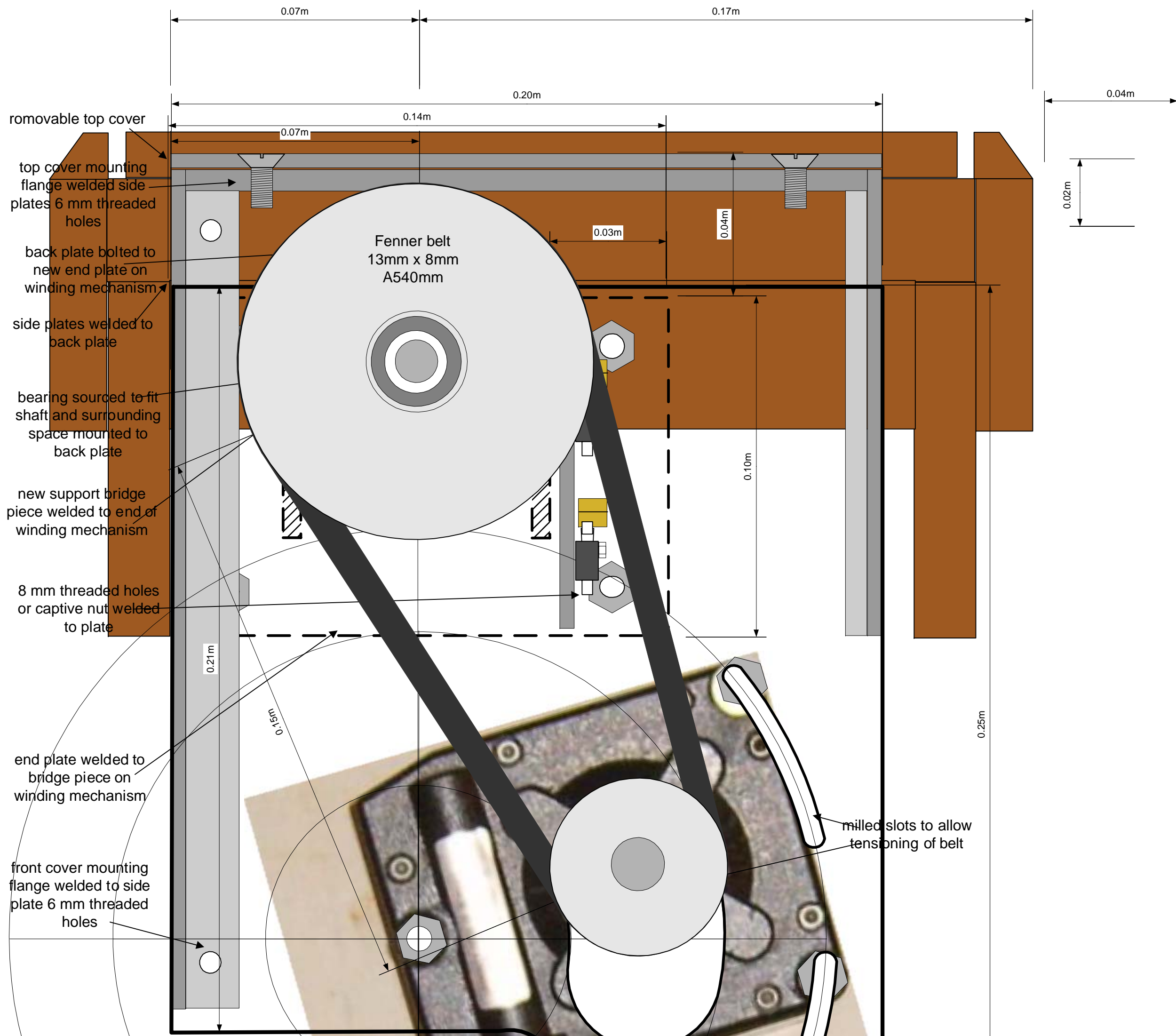
Keel Motor Speed Controller  
 Made by Hazeldine Electronics  
 6 Horton Court  
 Telford, Shropshire, TF1 4GY  
 Tel: 01952 677797  
 Terry Mathewman

Wiring to switches in speed controller

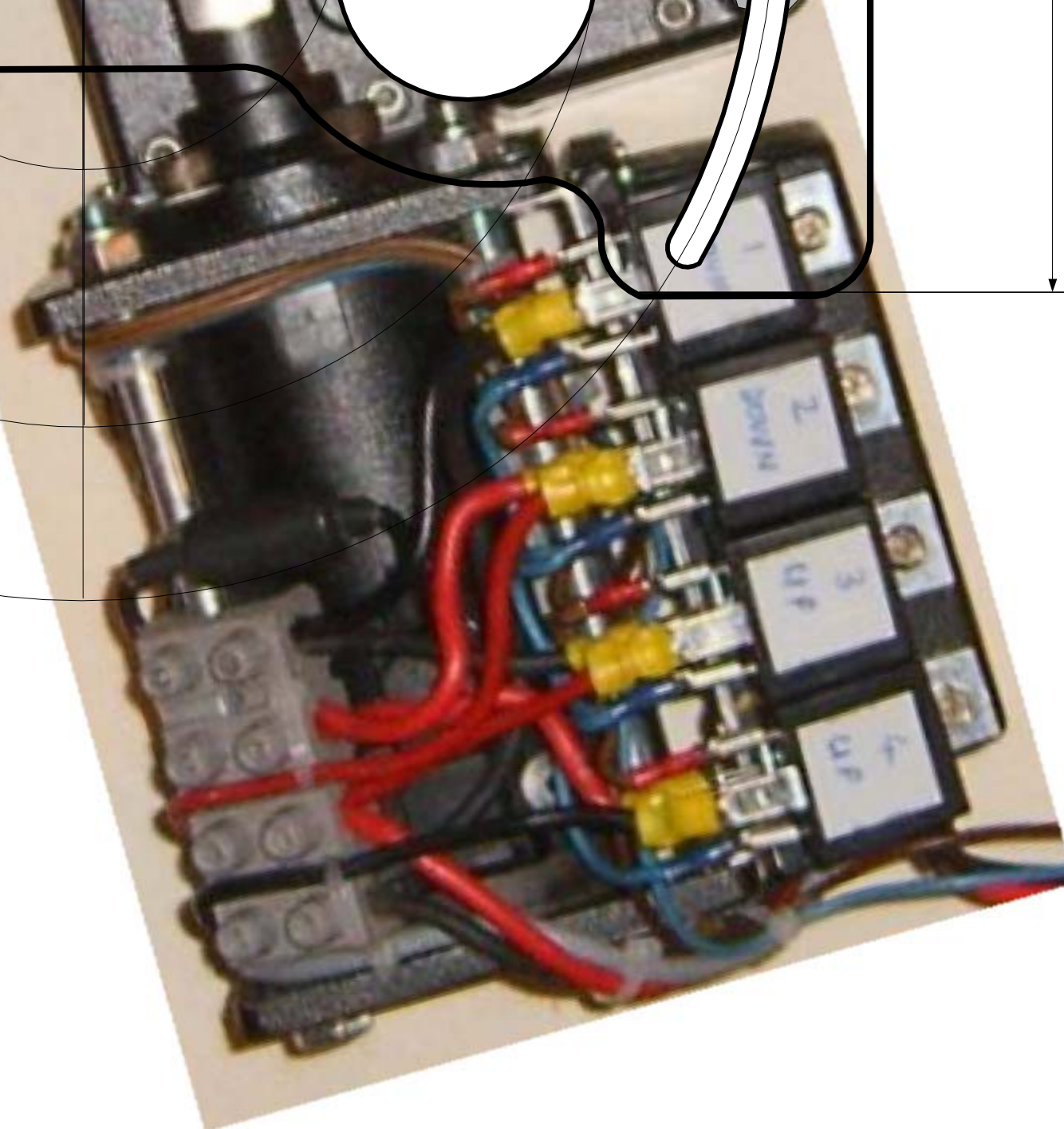
white = S1A Com  
 brown = S1A NO  
 Orange = S1B NC  
 red = S1B Com  
 yellow internal = S1B NO  
 black = up limit LED  
 green = S2A up  
 blue = S2A down  
 yellow = down limit LED

## Aztec Seal 28 Electric keel wiring

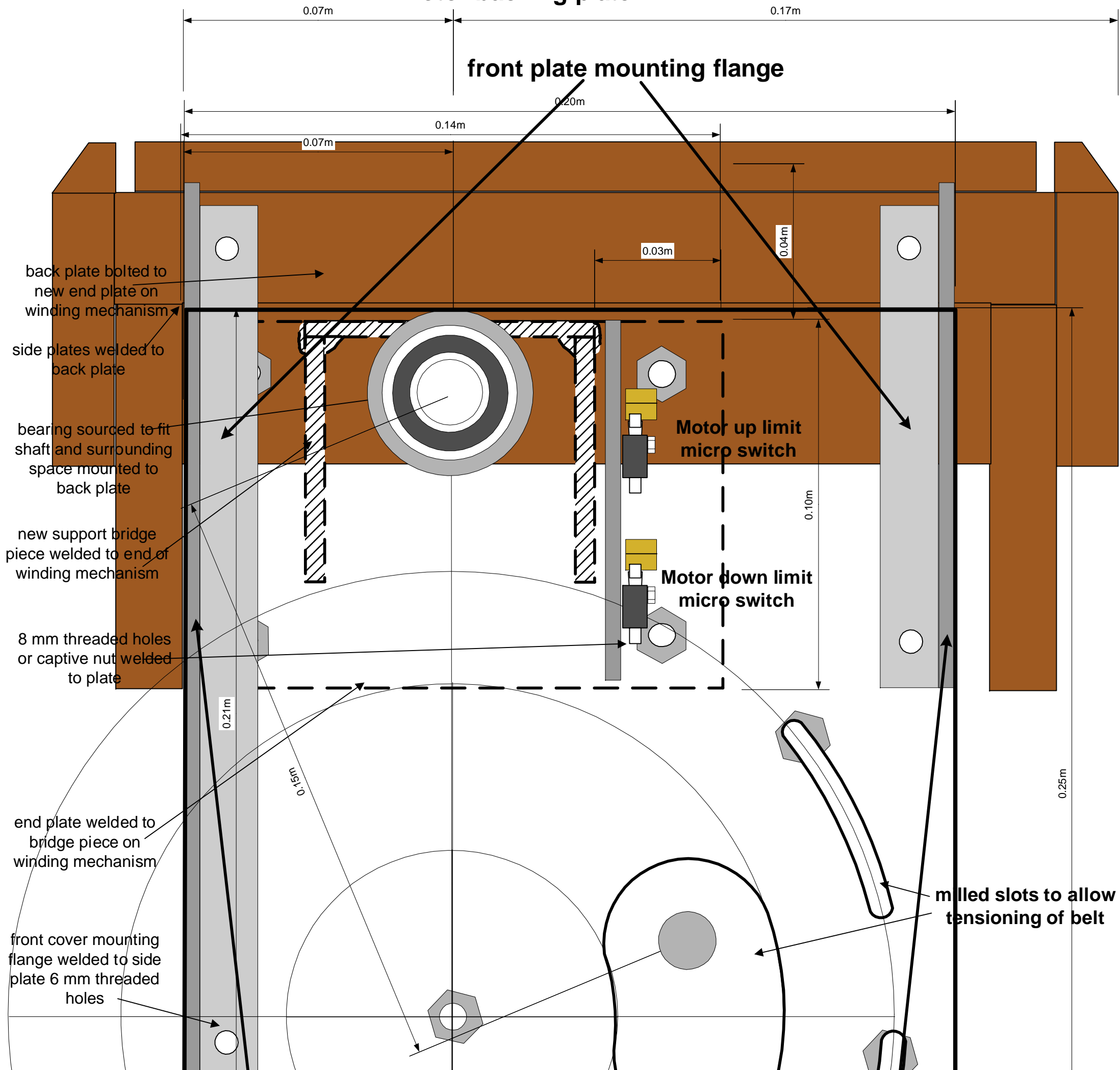




**Aztec Seal 28  
Electric keel Motor**



# Aztec Seal 28 Electric keel Motor backing plate

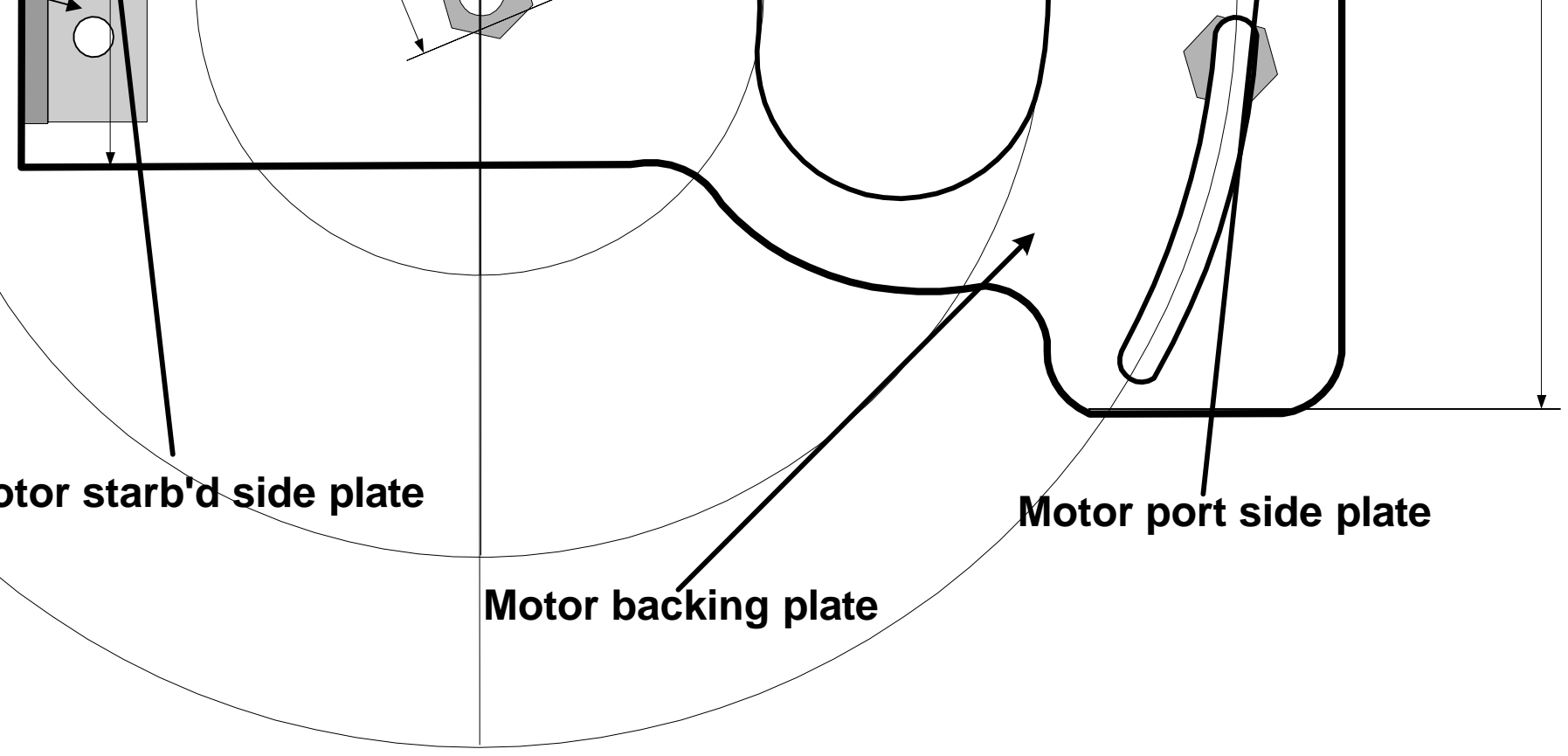


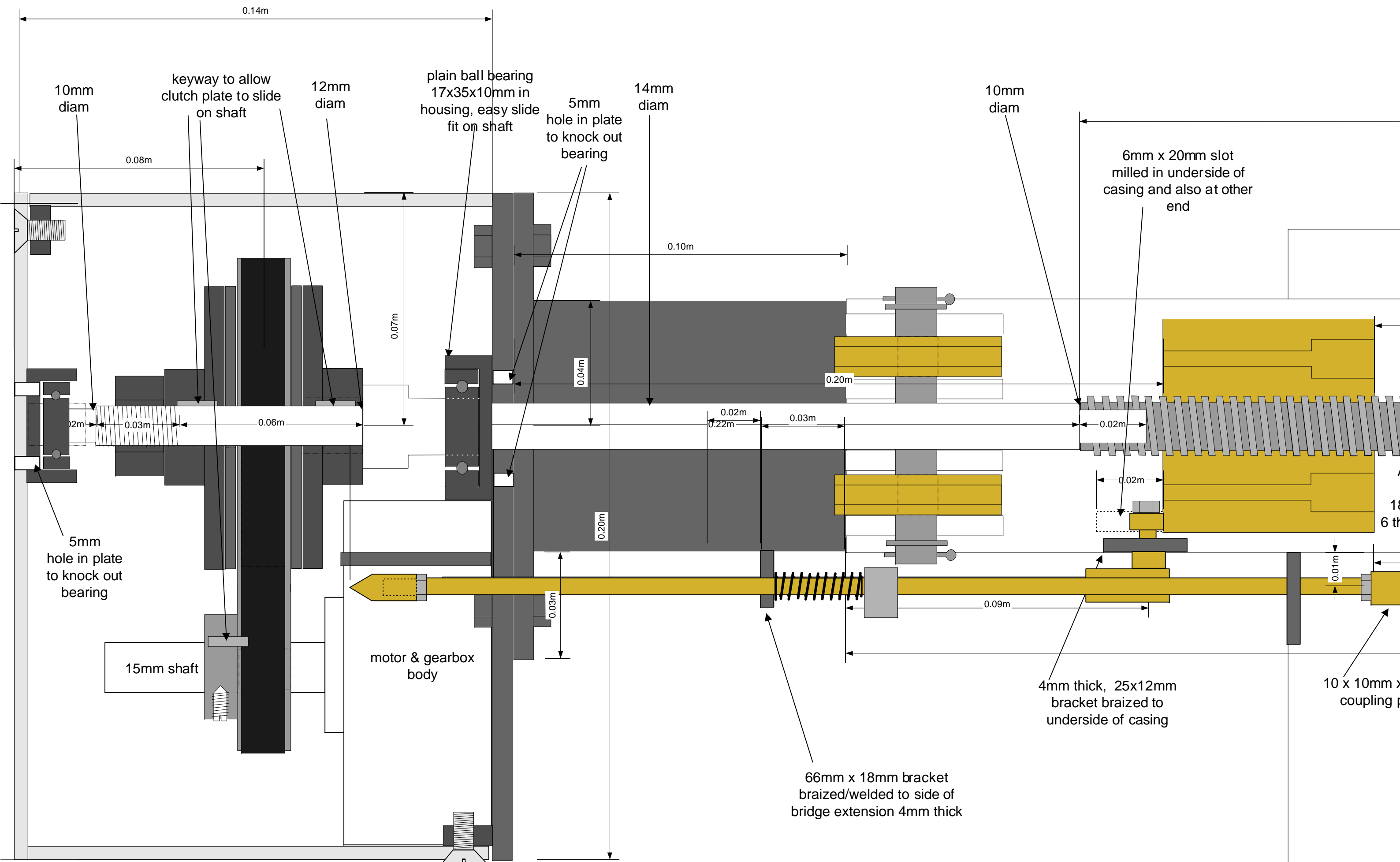


**Motor starb'd side plate**

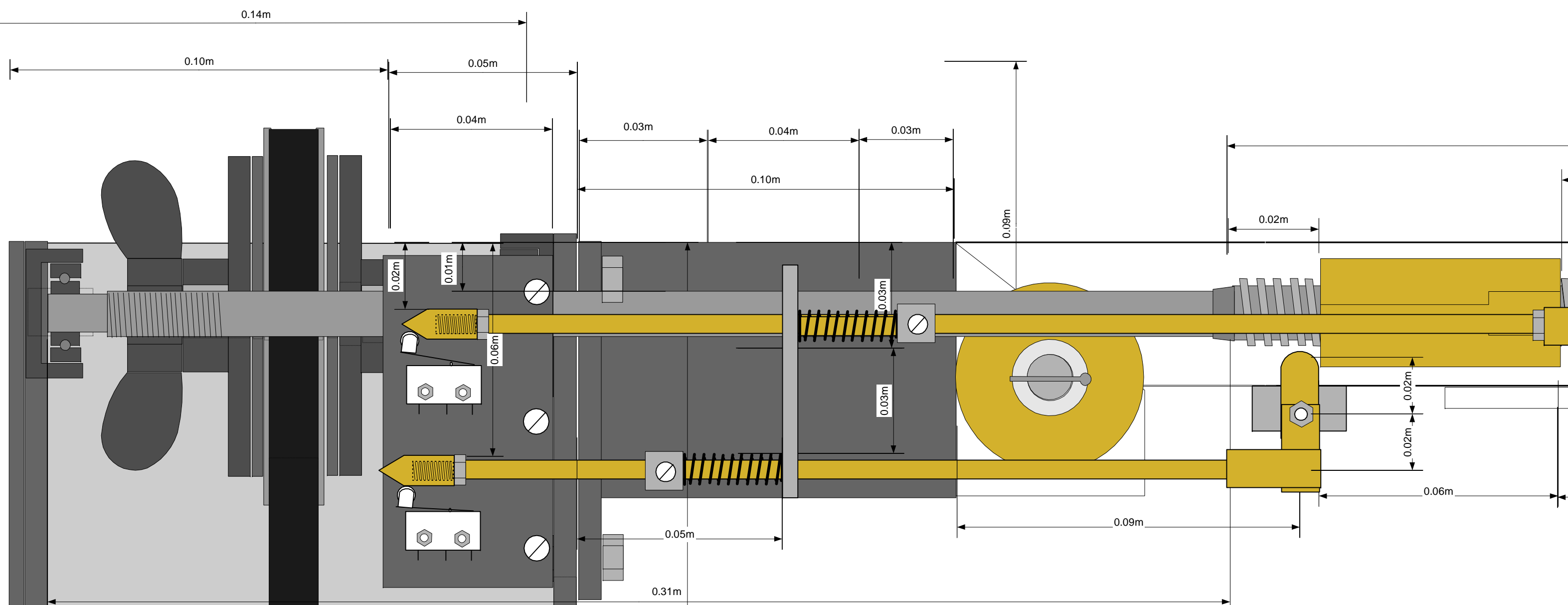
**Motor port side plate**

**Motor backing plate**

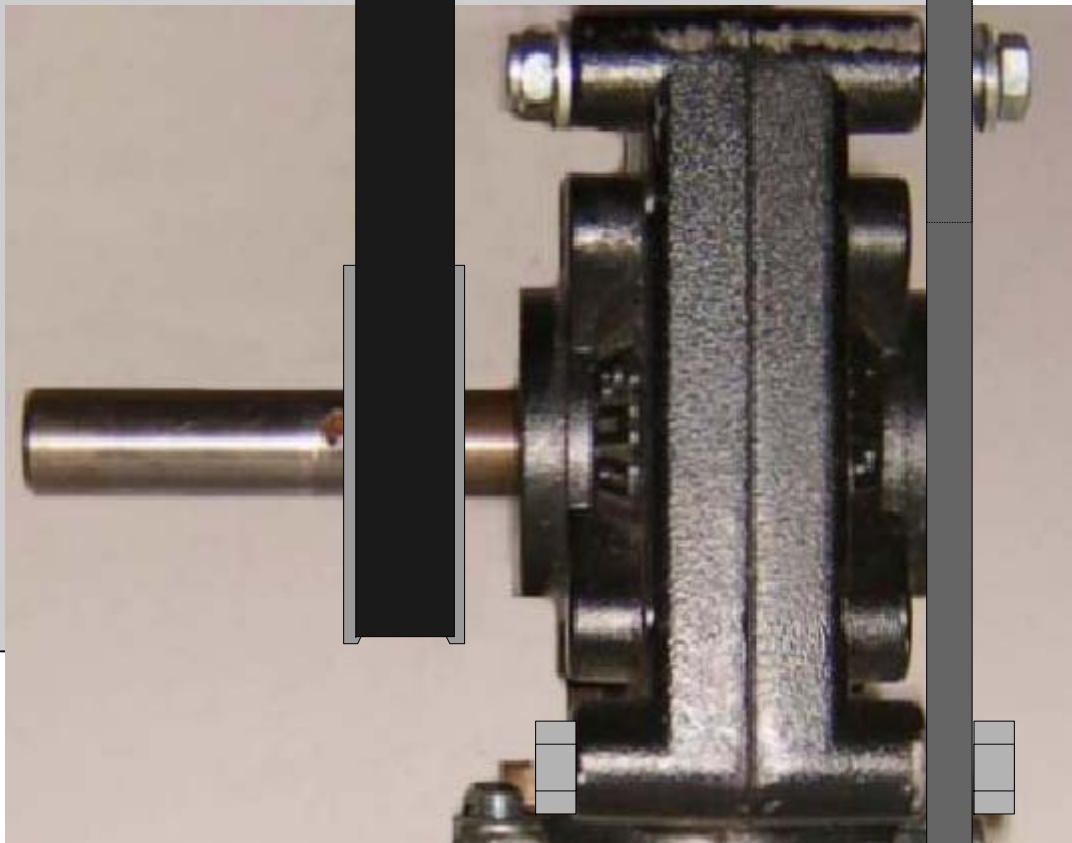




**TOP VIEW FRONT**



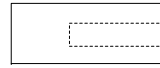
**SIDE VIEW FRONT**



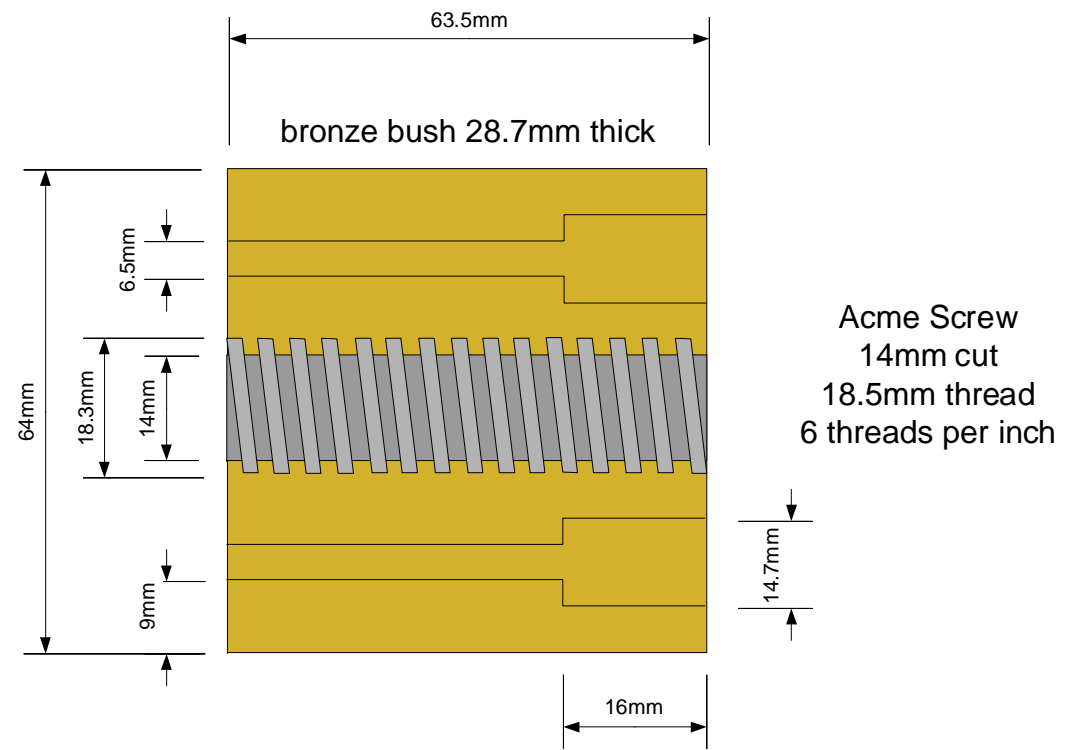
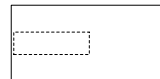
Brass push rod ends

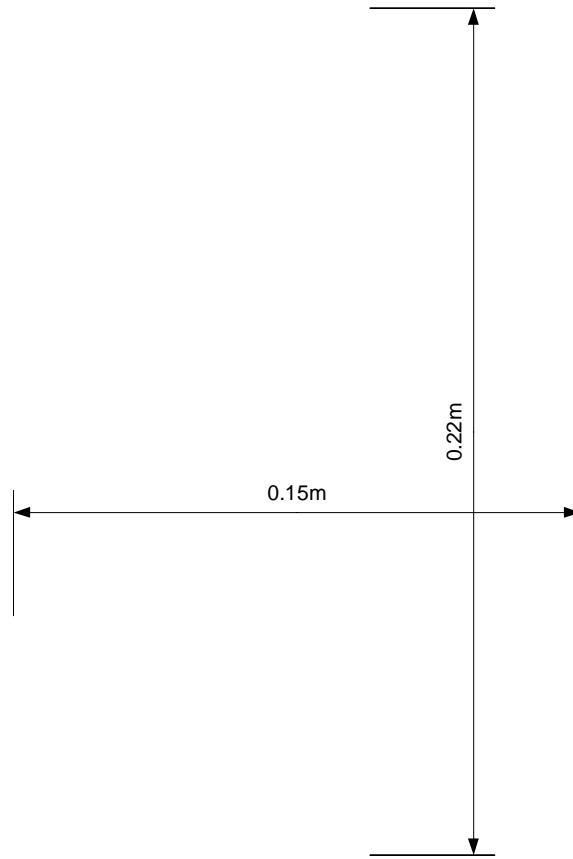
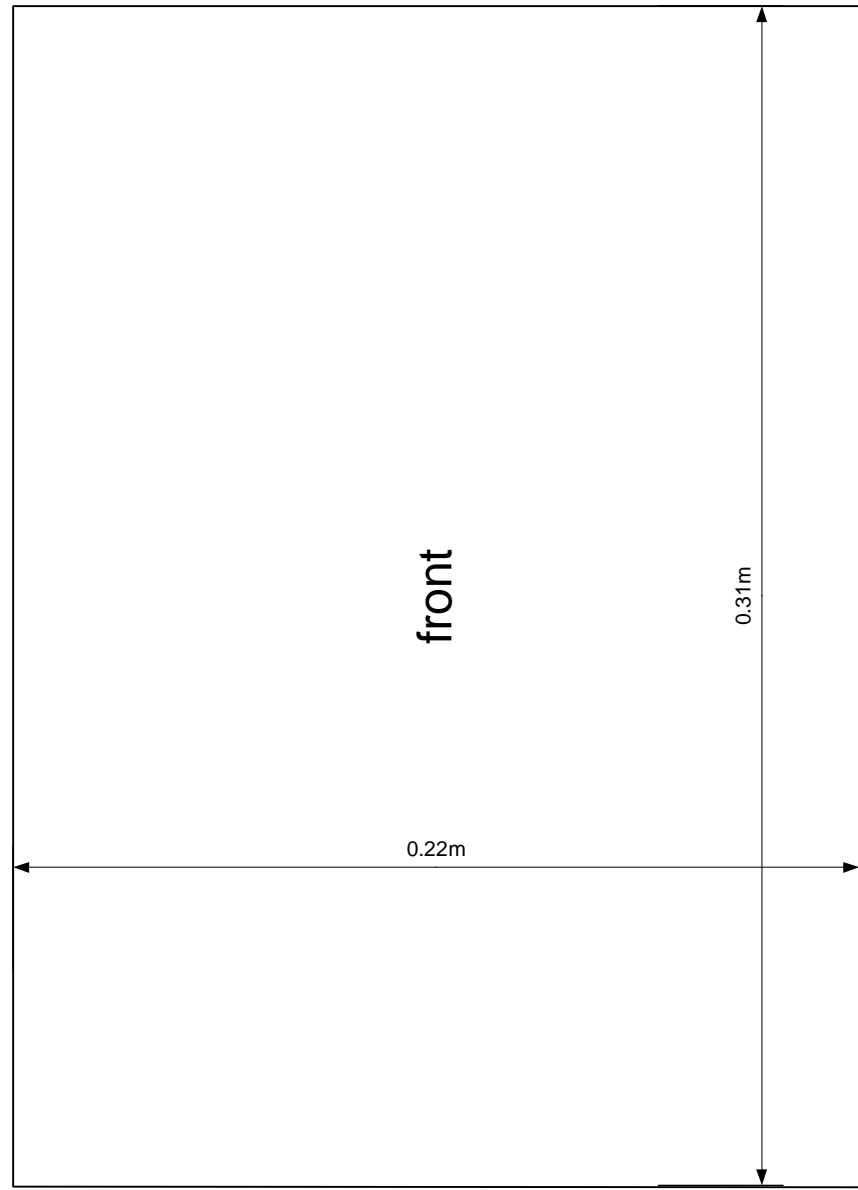
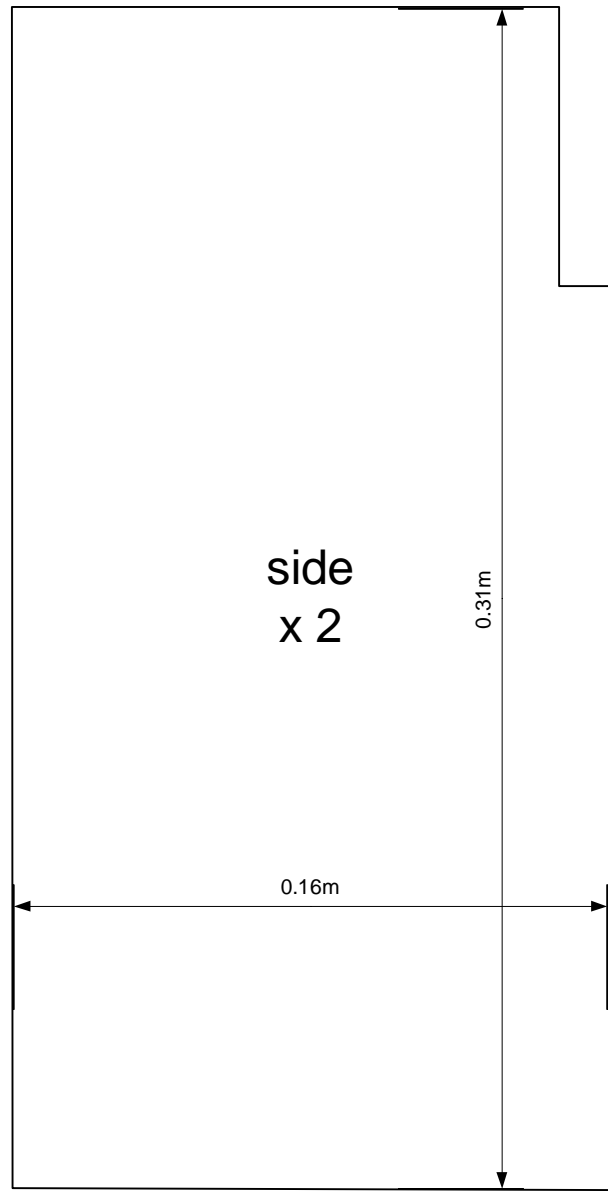


8mm diam x 20mm with  
3.5mm hole 12mm deep

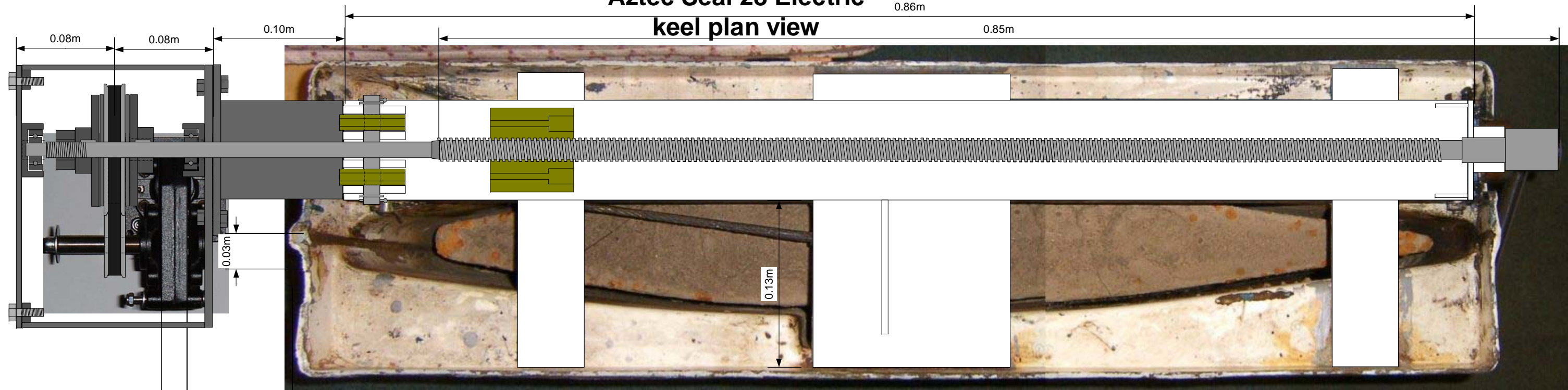


10 x 10mm x 20mm with  
3.5mm hole 10mm deep





# Aztec Seal 28 Electric

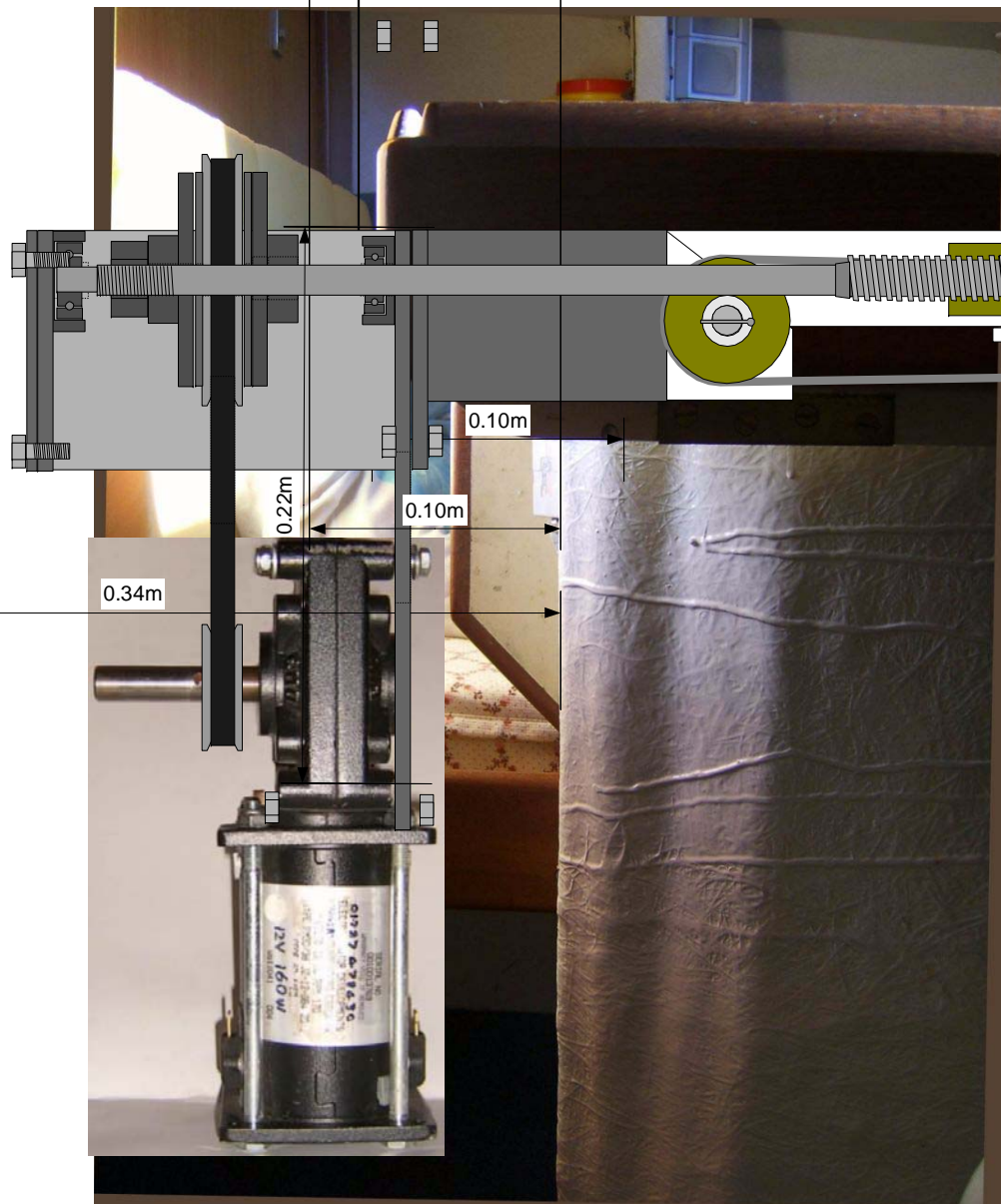


**Motor**  
12volt  
160watt  
4250rpm

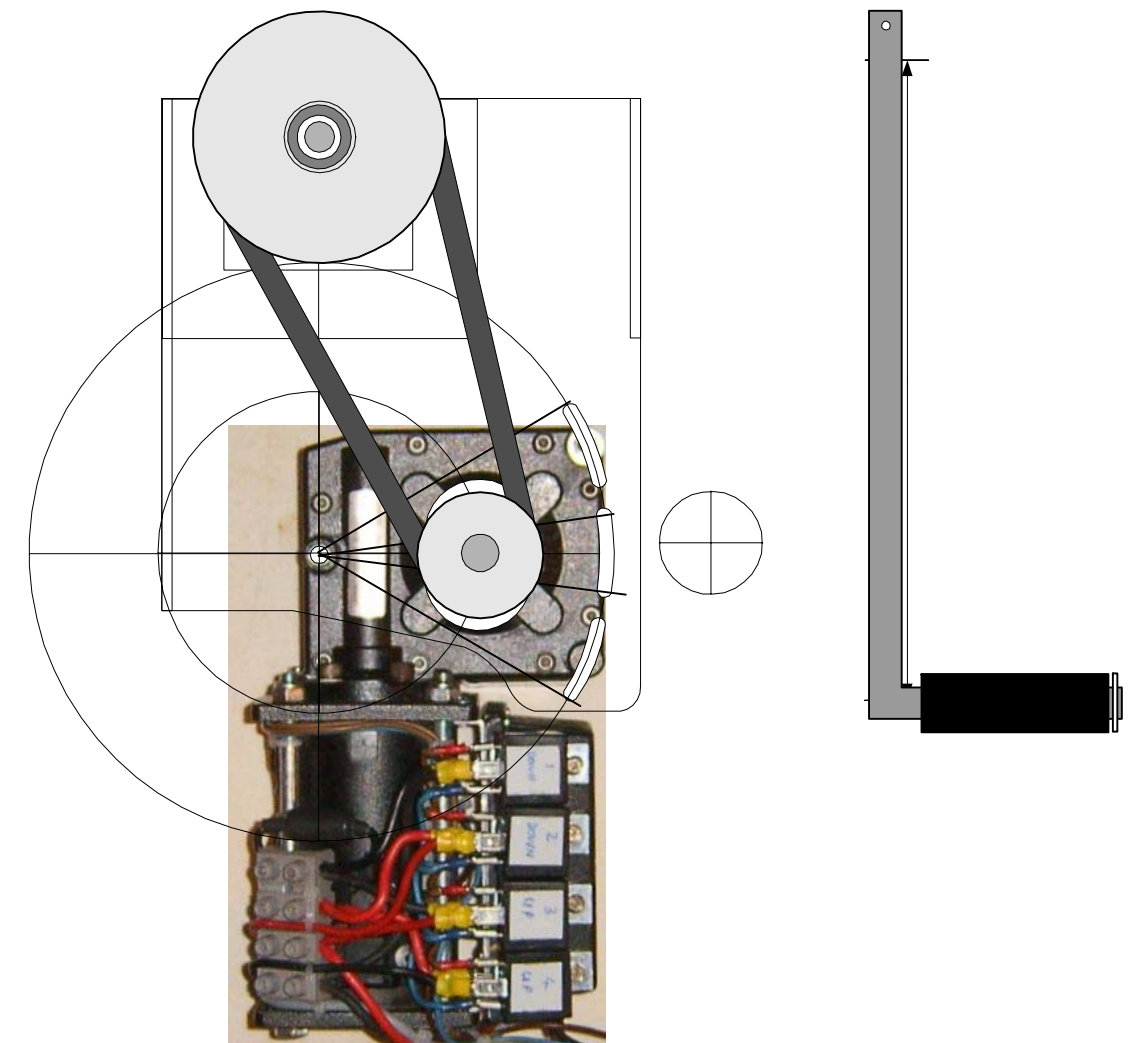
**Label on Gearbox**  
GB425-3039B  
W049563 Oct 2000  
Ratio 25:1  
170 rpm  
Shaft 15mm  
Final drive 2:1

**Label removed from Motor**  
TGA Electric Leisure ltd  
King Rd, Halstead Essex.  
01787 478430  
Model WCPP3  
S/N A1643 02-01-01  
Rating 12v 160W

**Label on Motor**  
Electric Motor Developments  
King Rd, Halstead Essex.  
Volts 12 DC RPM 170  
S/N 0010013769  
TYPE PM50/38 JZ-12-GB4 25:1

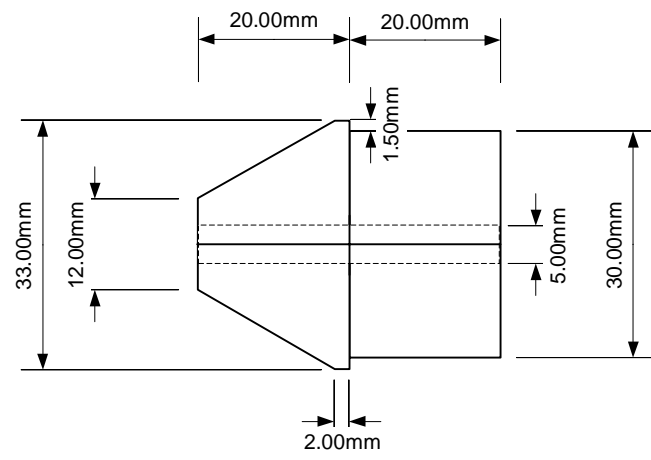


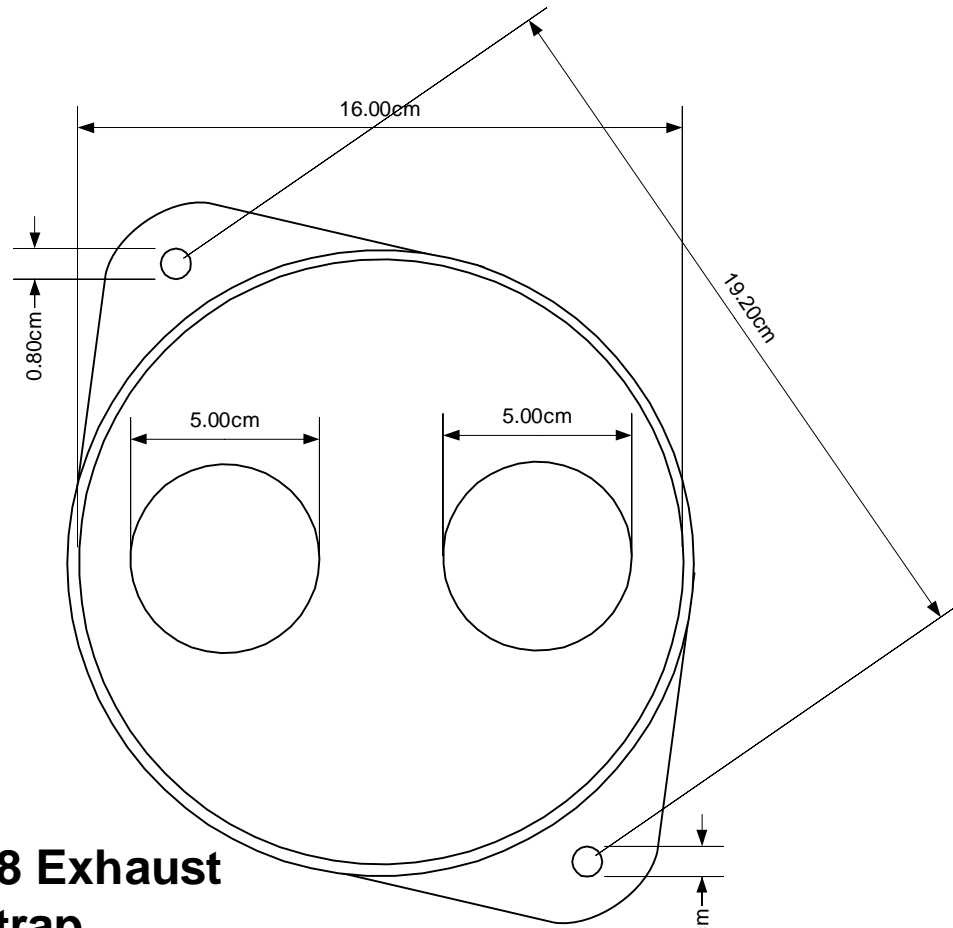
# Aztec Seal 28 Electric keel elevation view



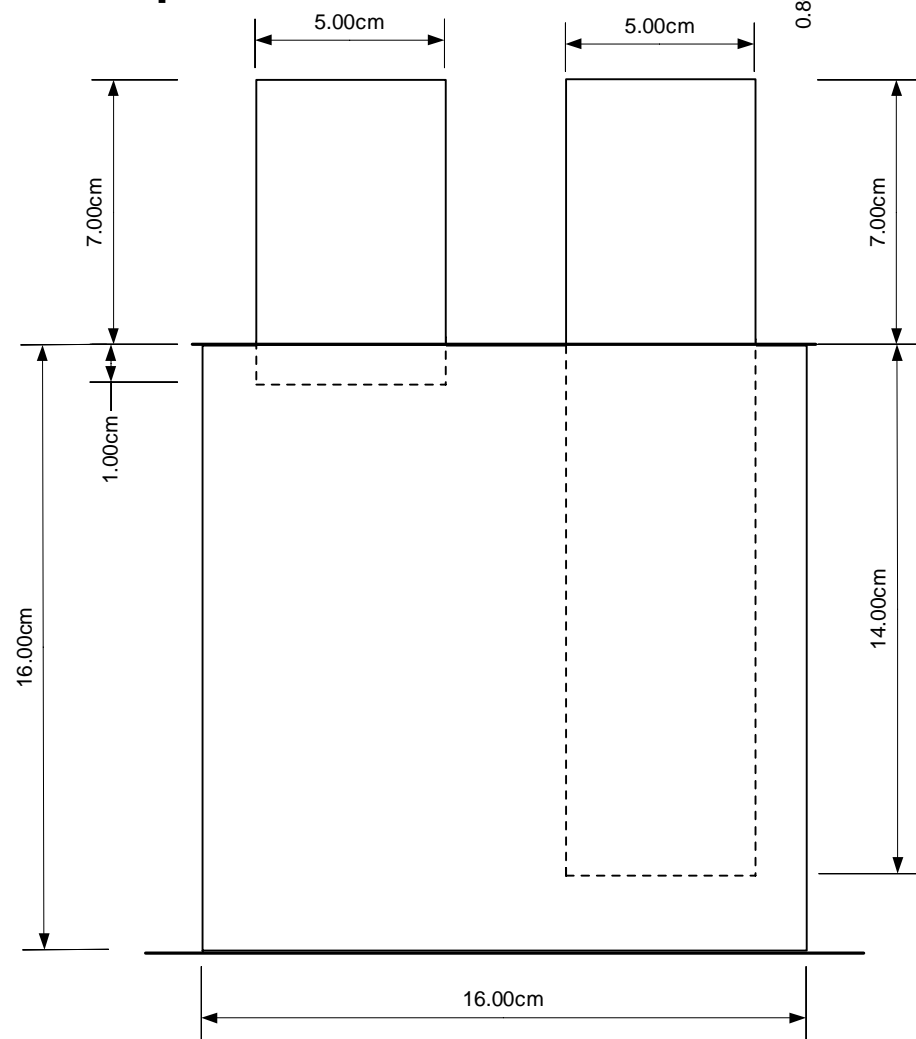
# Aztec Seal 28 new stanchion top

hardwood cap for rigging screw cover  
made in 2 halves so it can clamp round the  
rigging wire and push into the rigging cover boot





**Aztec Seal 28 Exhaust  
water trap**





# Aztec Seal 28 Winter Cockpit cover

